

tousek Spin

Automatic
Swing Gate Operators
complex & strong



Sliding gate operators



Cantilever sl. gate sys.



Swing gate operators



Garage door operators



Barrier operators



El. gate control



Impulse emitters



Safety devices



Miscellaneous



tousek[®]
G A T E A U T O M A T I O N

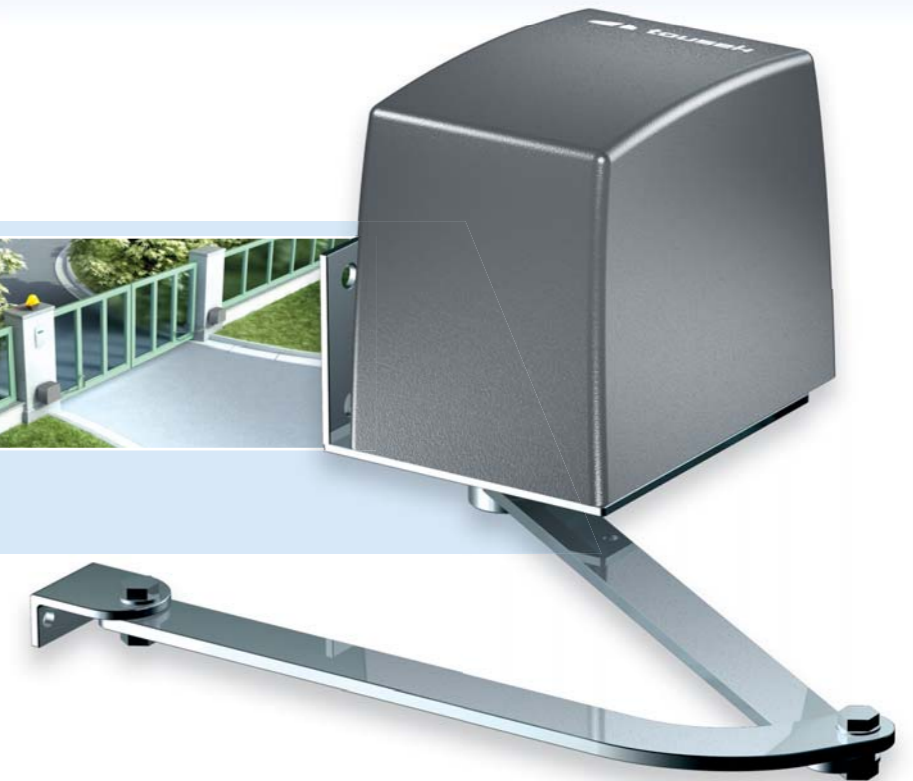
MADE IN AUSTRIA

tousek SPIN

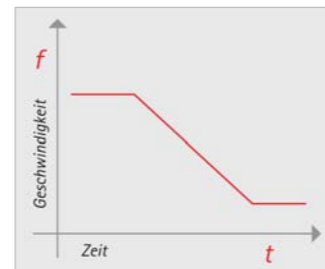
Electromechanical operator for all types of residential swing gates



regardless if they are made of wood, steel or aluminium
Especially suitable for subsequent installation



Limit switches
As a standard the Spin is equipped with limit switches for the open and closed position.



Soft stop
Spin, in combination with the control unit ST51, closes the gate very silently and softly.



Easy installation
An extremely stable installation angle and very flexible mounting measurements contribute to save time. All necessary mounting material is part of the delivery. The Spin is available for left side hinge-mounted and right side hinge-mounted gates.

The control
The technically innovative ST 12/5 microprocessor control was especially developed for the Spin electromechanic swing gate operators. This brand-new type of control unit regulates all functional procedures; it features numerous connecting options, e.g. for radio, code transmitter, sensor for the intercom unit and, of course, for all regular door-security systems.

With the operators Tousek Spin new and already existing gates can be automated. The easy installation and the easy adaptation to existing and in particular very thick gate columns are the excellent particularities of the swing gate operator Spin.

The operator unit Spin works electromechanically. The arm technology imitates the manual gate movement and therefore provides a very soft operation of the gate and protects the mechanics of the gate and the operator.

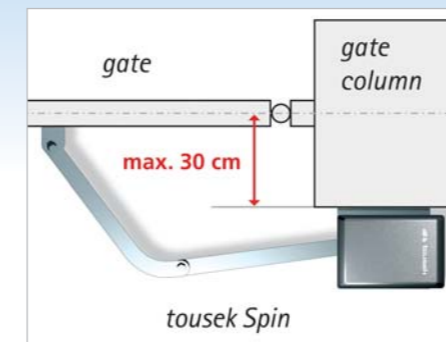
*) In order to achieve a fixed locking, it can be necessary, according to the installation situation, to install an electric lock.



Powerful
The powerful gear guarantees together with the massive aluminium casing a long useful life. All toothed wheels are made of metal and all axles are resting on ball bearings.



Dual-line display
All functions e.g. impulse/automatic operation, partial opening, gentle stop and many more can be easily set and adjusted to every gate by using the easily accessible sensor with its English-language plaintext menu.



Emergency release lock
The Spin reliably blocks the gate. In the event of a power failure this lock can be released and enables the opening and the closing of the gate by hand.

| Designation | SPIN |
|---------------------------|------------|
| Max gate panel weight | 200kg |
| Max gate panel width | 2,5m |
| Max torque | 400Nm |
| Integrated limit switches | yes |
| Speed of rotation | max 9°/sec |
| Max opening angel | 120° |
| Cycles/day | 20/day |
| Motor voltage | 230V+/-10% |

Please check the technical data sheets for more detailed information.

Note: Please be aware that the gate-security devices shown in this brochure are examples and are not to be considered as guidelines with regard to applicable standards. The standards in effect in each country must be complied without fail during start-up and/or installation.



Eduard Tousek

tousek PRODUCTS

- Sliding-gate operators ▲
- Swing-gate operators ▲
- Garage-door operators ▲
- Folding-gate operators ▲
- Barriers ▲
- Parking systems ▲
- Electronic controls ▲
- Radio remote controls ▲
- Key switches ▲
- Access control ▲
- Security devices ▲

tousek Ges.m.b.H. headquarters

A-1230 Wien, Zetschegasse 1
Tel: +43/ 1/ 667 36 01
Fax: +43/ 1/ 667 89 23
Email: info@tousek.at

tousek GmbH

D-83395 Freilassing
Traunsteiner Straße 12
Tel: +49/ 8654/ 77 66 - 0
Fax: +49/ 8654/ 57 196
Email: info@tousek.de

tousek GmbH

CH-6275 Ballwil
Bahnhofstraße 14
Tel: +41 41/448 29 65
Fax: +41 41/448 29 66
Email: info@tousek.ch

tousek Benelux NV

B-3930 Hamont-Achel
Buitenheide 2A / 1
Tel: +32 11 91 61 60
Fax: +32 11 91 61 60
Email: info@tousek.nl

tousek Sp. z o.o.

PL-43-190 Mikołów (k/Katowic)
Gliwicka 67
Tel: +48/ 32/ 738 53 65
Fax: +48/ 32/ 738 53 66
Email: info@tousek.pl

tousek s.r.o.

CZ-130 00 Praha 3, Jagellonská 9
Tel: +420/ 222 090 980
Fax: +420/ 222 090 989
Email: info@tousek.cz

For many years now,

we have been working on developing gate operators and their accessories at the forefront in the international field. Expertly trained employees and comprehensive service are two of the factors in satisfying customers' wishes.



tousek - the original

The Original **tousek** Quality certificate is your absolute guarantee of the highest quality when you purchase a **tousek** operator.



Reliable and secure

Tousek's leading technical development, including the Rolling Code Radio System, for instance, which generates a new radio code every time the remote control is activated, thus preventing the radio signal from being scanned by unauthorised persons, is your guarantee of greater security, in demand today as part of seamlessly protecting property. The quality of **tousek** products is guaranteed by the most stringent tolerances in manufacture and constant monitoring.

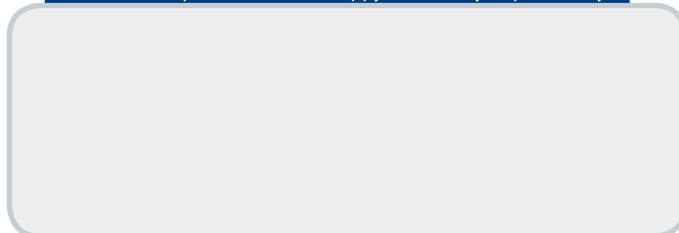
Compatibility

Tousek places great emphasis on keeping all elements of the gate operator, accessory and security programmes compatible as the assortment of products grows.



www.tousek.com

Your **tousek** partners will be happy to advise you personally.



Subject to changes in design, composition, technical alterations and printing errors.
All contents are protected by copyright. Reprinting, digital reproduction, in whole or in part, without our written permission is forbidden.



tousek garage doors operators
convenient and safe



tousek barrier systems
attractive and robust



tousek sliding-gate operators
compact and safe



tousek impulse emitter
programmes
compatible and secure



www.tousek.com

Visit our website for more
important information all
about automatic operators.