

Technical information / planning sheet

Coin access control MP 11



Possible application:

- budget solution for access control for fitting into the steel barrier housing/column
- especially for barrier access sites where people only need an one-time access or exit.
Suitable for example for client parking spaces at shops, workshops etc.

The most important functions at a glance:

- mechanical control/testing device for token coins - control criteria: dimension, material (magnetism)
- after insertion of corresponding token coin a micro switch is activated
As the impulse of the microswitch is very short a time relay is deeply recommended to adjust a longer impulse time.
- token coin WM29 or WM29 EP (with own company name coinage): Ø 29mm
- switching contact: changer, 250V, 5A max.



coin access MP 11	Art. no. 13420090
coin access MP 11 incl. time relay.	S34202
coin WM 29	13420100
coin WM 29 EP (with own logo print)	13420120



www.tousek.com

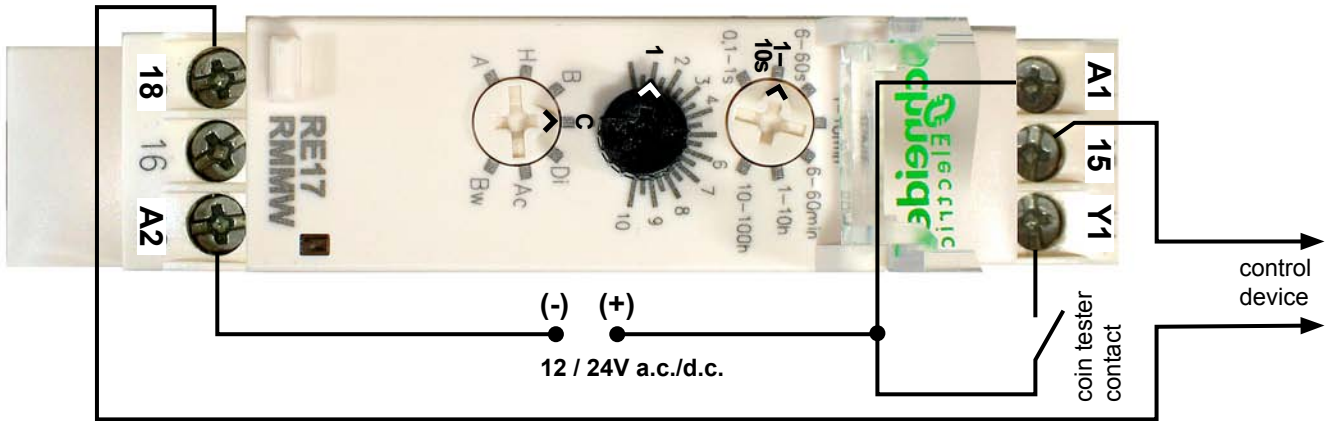
Tousek Ges.m.b.H. Austria
A-1230 Vienna
Zetschegasse 1
Tel. +43/1/667 36 01
Fax +43/1/667 89 23
info@tousek.at

Tousek GmbH Germany
D-83395 Freilassing
Traunsteiner Straße 12
Tel. +49/86 54/77 66-0
Fax +49/86 54/5 71 96
info@tousek.de

Tousek GmbH Switzerland
CH-6275 Ballwil
Bahnhofstraße 14
Tel. +41/0/41 448 2965
Fax +41/0/41 448 2966
info@tousek.ch

Tousek Sp. z o.o. Poland
PL 43-190 Mikołów (k/Katowic)
Gliwicka 67
Tel. +48/32/738 53 65
Fax +48/32/738 53 66
info@tousek.pl

Tousek s.r.o. Czech Republic
CZ-130 00 Praha 3
Jagellonská 9
Tel. +420/2/2209 0980
Fax +420/2/2209 0989
info@tousek.cz

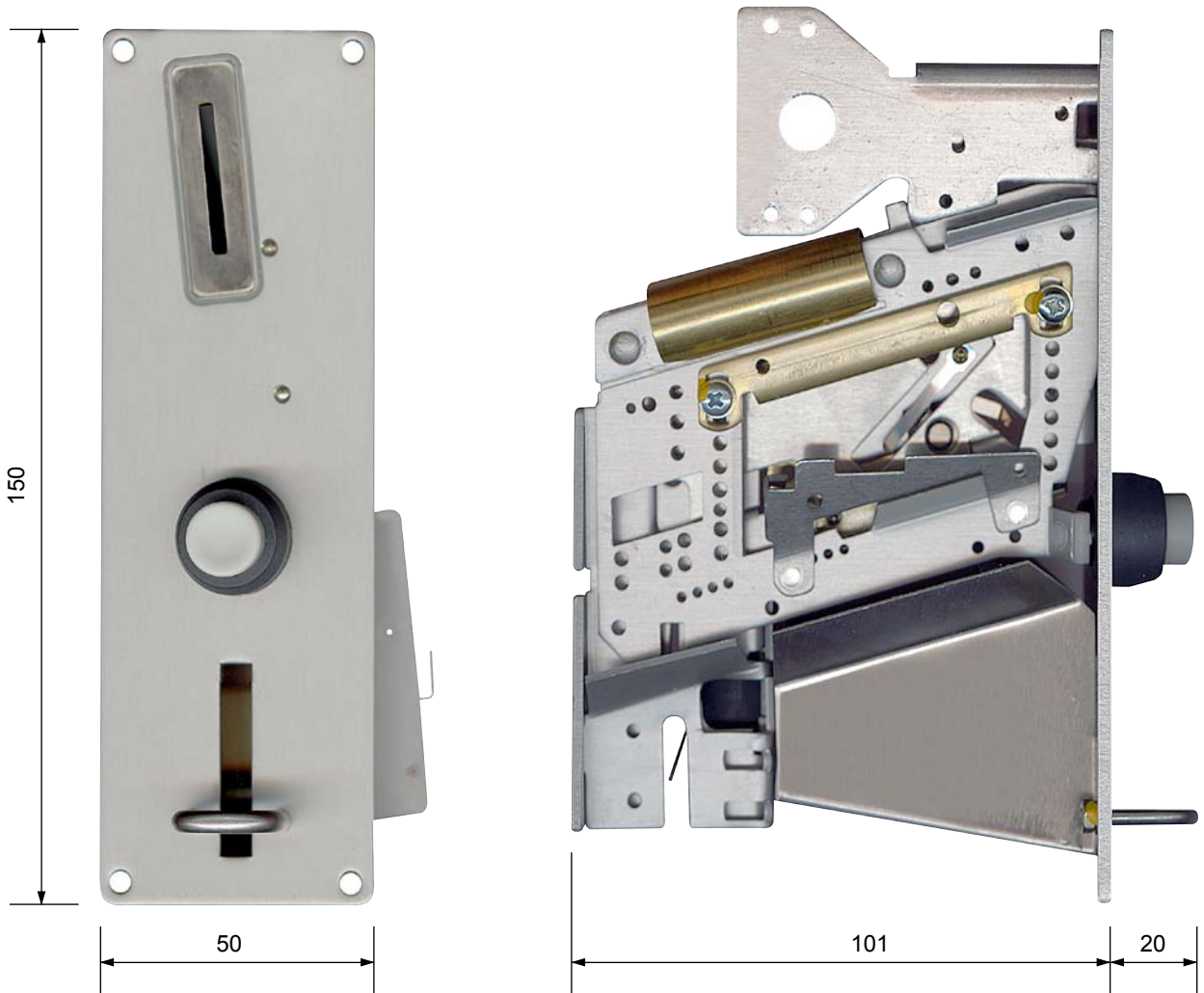


Note

- The adjustments of the three regulators have to correspond with the picture above !

Dimensional drawing

- measures in mm



measures and technical modifications subject to change !